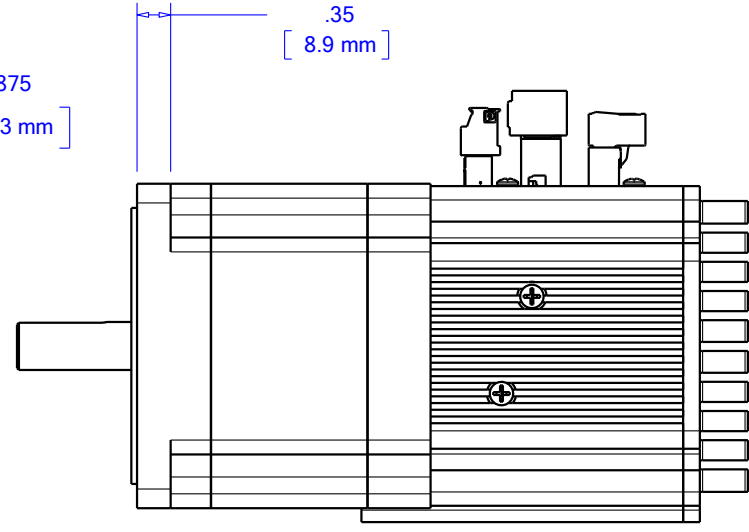
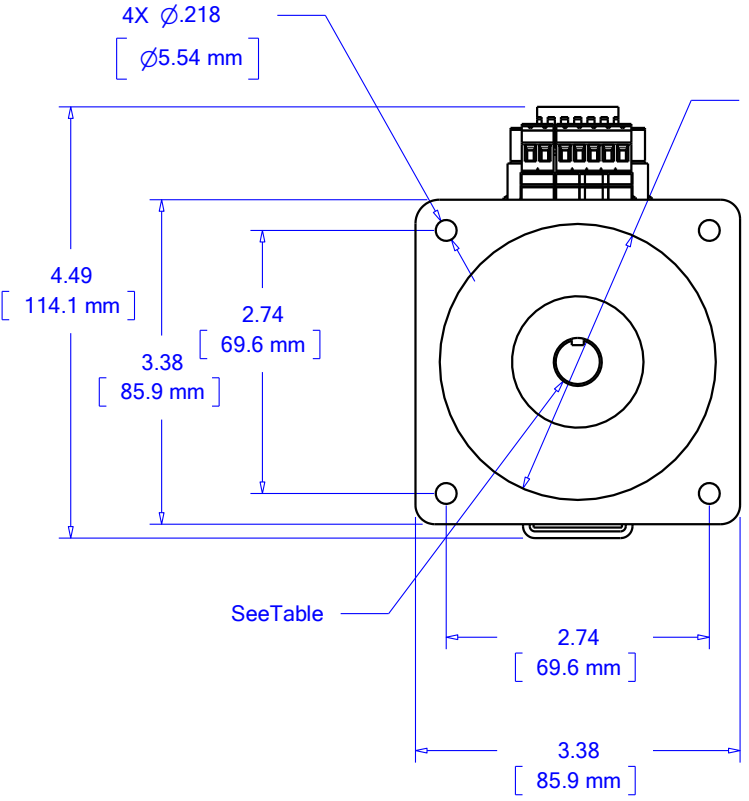
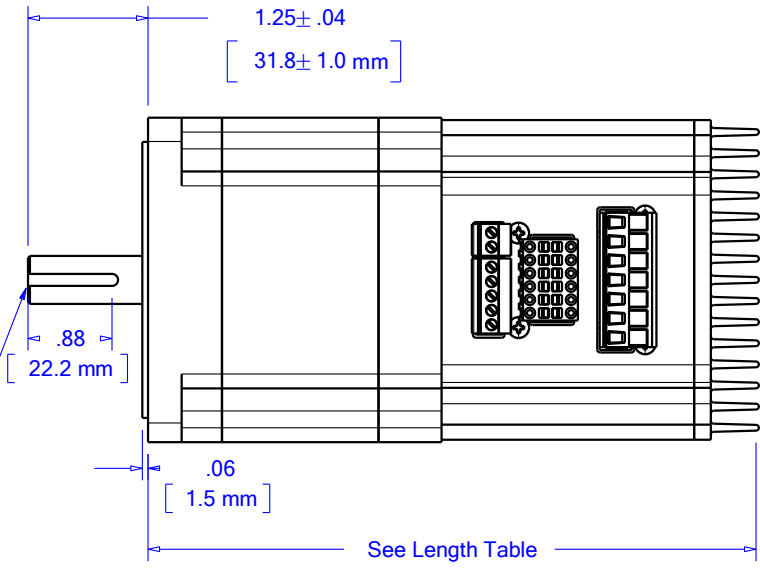


See Keyway Table



| Model | Shaft Diameter | Keyway | Body Length |
|----------|---------------------------------------|-----------------|----------------|
| XT34HC-1 | 0.5000 +0/- .0005 12.70 +0/- .012 mm | 0.1253.175 mm | 6.4 in 162 mm |
| XT34HC-2 | 0.5000 +0/- .0005 12.70 +0/- .012 mm | 0.1253.175 mm | 8.0 in 203 mm |
| XT34HC-3 | 0.6250 +0/- .0005 15.875 +0/- .012 mm | 0.18754.7625 mm | 9.5 in 241 mm |
| XT34HC-4 | 0.6250 +0/- .0005 15.875 +0/- .012 mm | 0.18754.7625 mm | 11.1 in 282 mm |