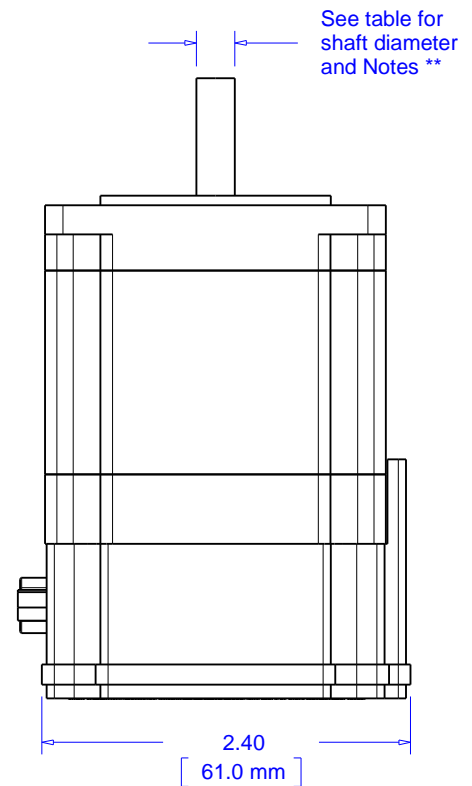


See table for
body length



Motor Series	Body length	Shaft diameter	Notes **
A23L-1	2.7 [68 mm]	.250 [6.35 mm]	Shaft has .020 [.5 mm] flat
A23L-1C	2.7 [68 mm]	.250 [6.35 mm]	
A23CK-3, A23K-3C, A23L-3C	3.2 [81 mm]	.250 [6.35 mm]	
A23L-3	3.2 [81 mm]	.250 [6.35 mm]	Shaft has .020 [.5 mm] flat
A23H-5	4 [101 mm]	.250 [6.35 mm]	
A23H-3	3.2 [80 mm]	.250 [6.35 mm]	* Special order item
A23-5	4.1 [103 mm]	.250 [6.35 mm]	* Special order item
A23-3	3.2 [80 mm]	.250 [6.35 mm]	* Special order item
A23K-3	3.2 [81 mm]	.250 [6.35 mm]	* Special order item Shaft has .020 [.5 mm] flat
A23T-7	5.1 [129 mm]	.3125 [7.94 mm]	* Special order item
A23H-1	2.7 [68 mm]	.250 [6.35 mm]	* Special order item