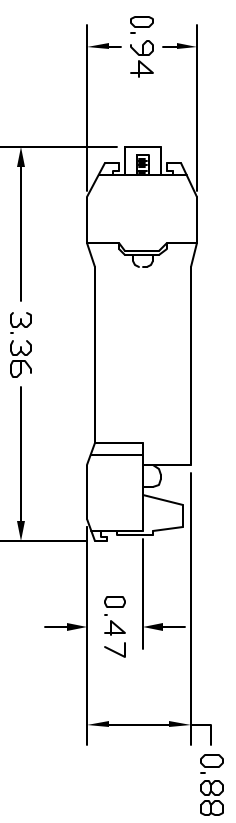
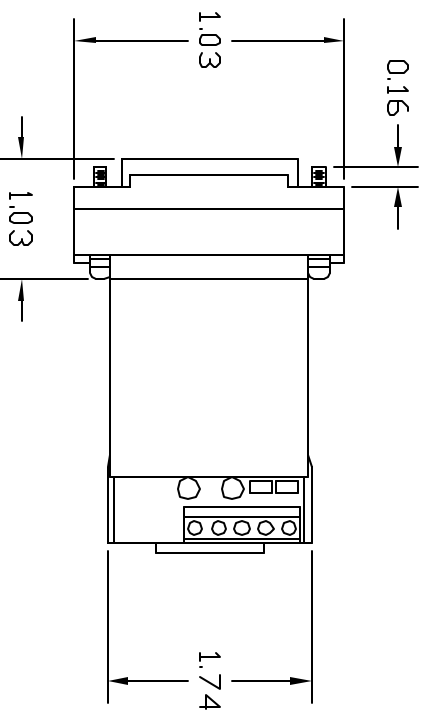


22 May 2006



QuickSilver Controls Inc.
San Dimas, CA.



RS-232 to RS-485
(QCI-RS-485)

Subject to change without notice